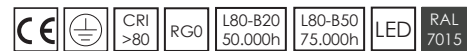




# LORD STREET



Proiettore stradale per esterni. Corpo in alluminio pressofuso verniciato con polvere termoindurente poliestere anticorrosione colore antracite, vetro temperato trasparente spessore 5 mm, guarnizione in silicone, alimentatore elettronico 230V. Prodotto costruito in conformità alle vigenti norme EN / IEC 60598-1:2015.

Outdoor street floodlight. Die cast aluminium body, painted with polyester coated anticorrosion powder anthracite color, 5 mm thick tempered transparent glass, silicon gasket, electronic ballast 230V. Manufactured in accordance with EN / IEC 60598-1:2015.

## CODIFICA/CODE



| Art. | + | Mod. | + | °K | +         | W-tot | + | Opt.          |
|------|---|------|---|----|-----------|-------|---|---------------|
| 8031 |   | ST   |   | 3  | = 3000°K  | 080   |   | EL = standard |
|      |   |      |   | 4  | = 4000°K  | 115   |   | LM = 1-10v    |
|      |   |      |   | 5  | = 5000°K  | 120   |   | LD = dali     |
|      |   |      |   | S  | = sap-led | 150   |   |               |
|      |   |      |   |    |           | 185   |   |               |
|      |   |      |   |    |           | 200   |   |               |

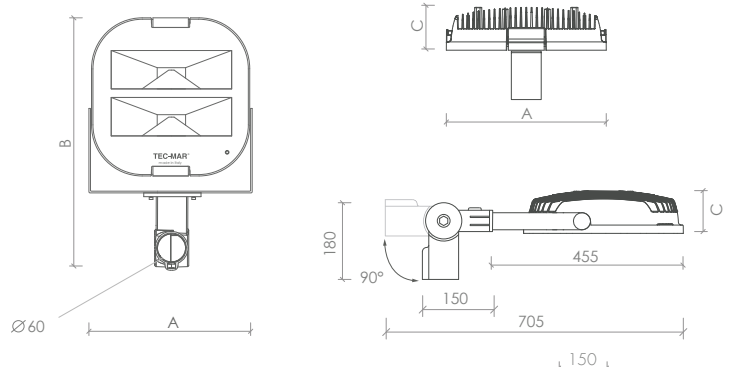
## ACCESSORI/ACCESSORIES



GP8031

## DIMENSIONI/DIMENSIONS

|    | A   | B   | C  | Kg  | mc    |  |  |
|----|-----|-----|----|-----|-------|---|---|
| D1 | 395 | 605 | 90 | 8,7 | 0,024 | 1   | 50  |
| D2 | 395 | 605 | 90 | 9,0 | 0,024 | 1   | 50  |



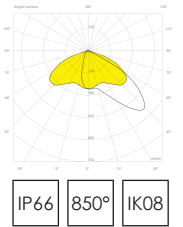
## mod/ST

### Optics and diffusers

Riflettore in alluminio satinato. Asimmetria 60°.

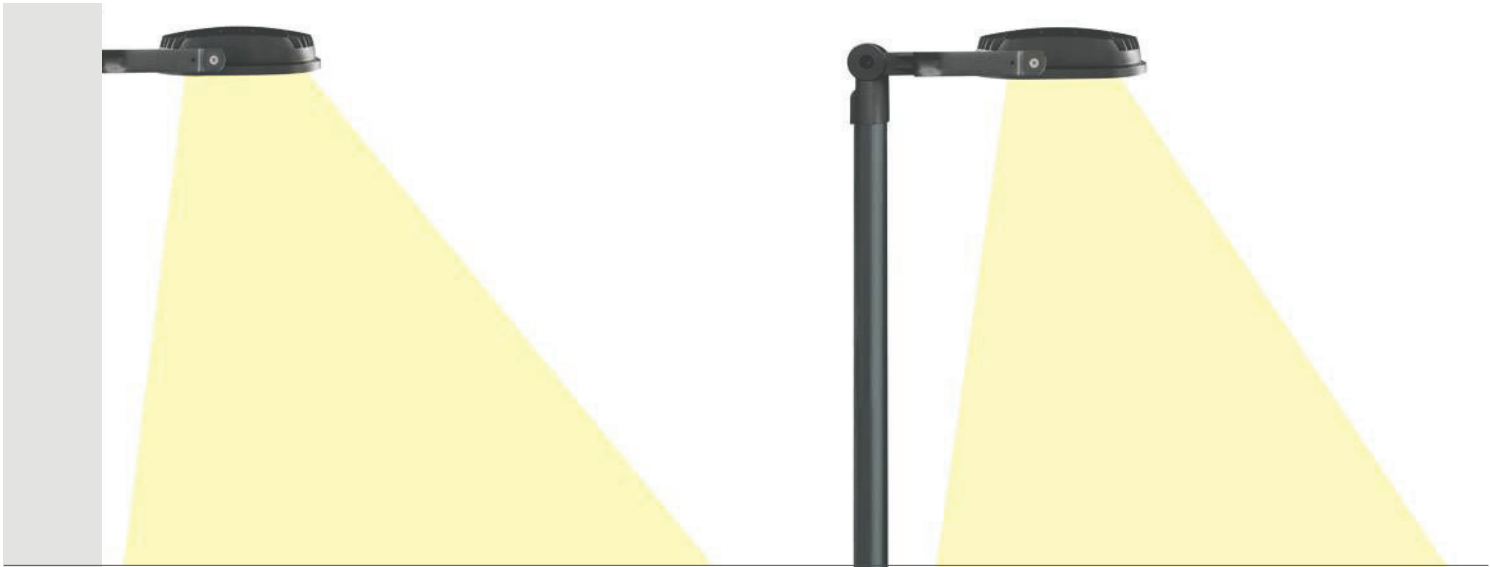
### Louvers and diffusers

Matt satin aluminium reflector. 60° Asymmetry.



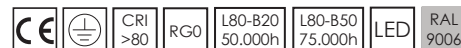
- 3000°K = -5.28% lm
- 4000°K = standard
- 5000°K = +0.90% lm
- SAP-LED = -17.50% lm

| W-Tot. | Lm (Tc=25°)<br>4000°K | Lm (Output) | Sostituisce<br>Replace | Dimension |
|--------|-----------------------|-------------|------------------------|-----------|
| 80     | 13811                 | 9785        | 150W JM/SAP            | D1        |
| 115    | 18682                 | 13238       | 250W JM                | D1        |
| 120    | 20589                 | 14588       | 250W JM/SAP            | D1        |
| 150    | 24559                 | 17402       | 250W JM/SAP            | D1        |
| 185    | 29834                 | 21137       | 400W JM                | D2        |
| 200    | 31858                 | 22564       | 400W JM/SAP            | D2        |





# LORD STREET



Proiettore stradale per esterni. Corpo in alluminio pressofuso verniciato con polvere termoindurente poliestere anticorrosione colore silver, vetro temperato trasparente spessore 5 mm, guarnizione in silicone, alimentatore elettronico 230V. Prodotto costruito in conformità alle vigenti norme EN / IEC 60598-1:2015.

Outdoor street floodlight. Industrial and commercial suspended high-bay. Die cast aluminium body, painted with polyester coated anticorrosion powder silver color, 5 mm thick tempered transparent glass, silicon gasket, electronic ballast 230V. Manufactured in accordance with EN / IEC 60598-1:2015.

## CODIFICA/CODE



| Art. | + | Mod. | + | °K | +         | W-tot | + | Opt.          |
|------|---|------|---|----|-----------|-------|---|---------------|
| 8031 |   | ST   |   | 3  | = 3000°K  | 080   |   | GL = standard |
|      |   |      |   | 4  | = 4000°K  | 115   |   | GM = 1-10v    |
|      |   |      |   | 5  | = 5000°K  | 120   |   | GD = dali     |
|      |   |      |   | S  | = sap-led | 150   |   |               |
|      |   |      |   |    |           | 185   |   |               |
|      |   |      |   |    |           | 200   |   |               |

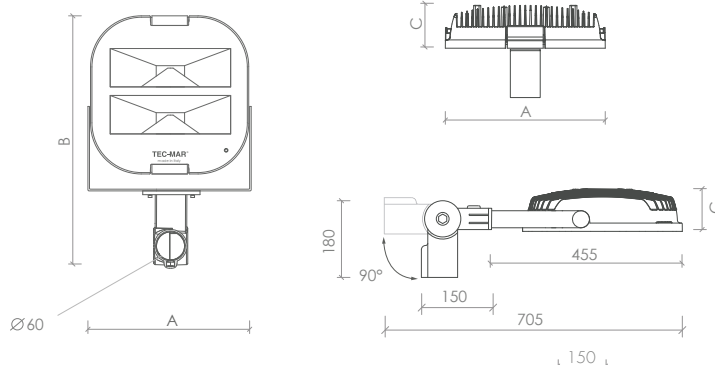
## ACCESSORI/ACCESSORIES



GP8031

## DIMENSIONI/DIMENSIONS

|    | A   | B   | C  | Kg  | mc    |  |  |
|----|-----|-----|----|-----|-------|---|---|
| D1 | 395 | 605 | 90 | 8,7 | 0,024 | 1   | 50  |
| D2 | 395 | 605 | 90 | 9,0 | 0,024 | 1   | 50  |



# LAREN

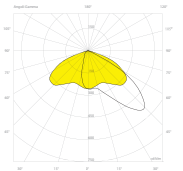
## mod/ST

### Optics and diffusers

Riflettore in alluminio satinato. Asimmetria 60°.

### Louvers and diffusers

Matt satin aluminium reflector. 60° Asymmetry.



IP66 850° IK08

- 3000°K = -5.28% lm
- 4000°K = standard
- 5000°K = +0.90% lm
- SAP-LED = -17.50% lm

| W-Tot. | Lm (Tc=25°)<br>4000°K | Lm (Output) | Sostituisce<br>Replace | Dimension |
|--------|-----------------------|-------------|------------------------|-----------|
| 80     | 13811                 | 9785        | 150W JM/SAP            | D1        |
| 115    | 18682                 | 13238       | 250W JM                | D1        |
| 120    | 20589                 | 14588       | 250W JM/SAP            | D1        |
| 150    | 24559                 | 17402       | 250W JM/SAP            | D1        |
| 185    | 29834                 | 21137       | 400W JM                | D2        |
| 200    | 31858                 | 22564       | 400W JM/SAP            | D2        |

